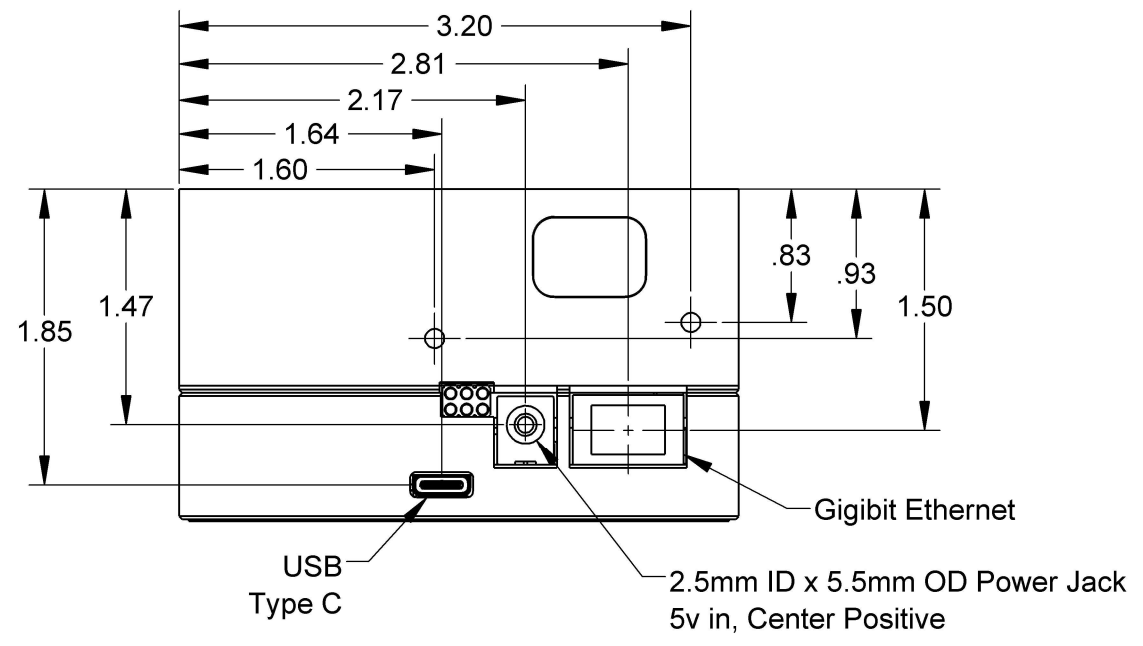


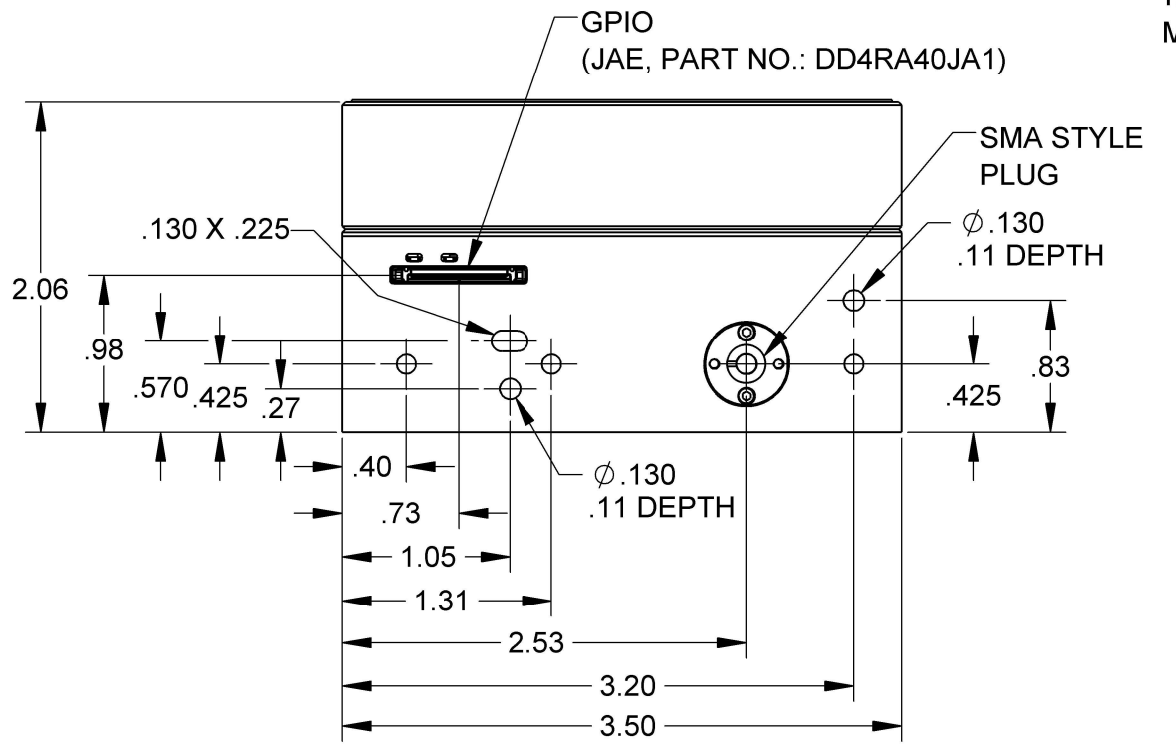
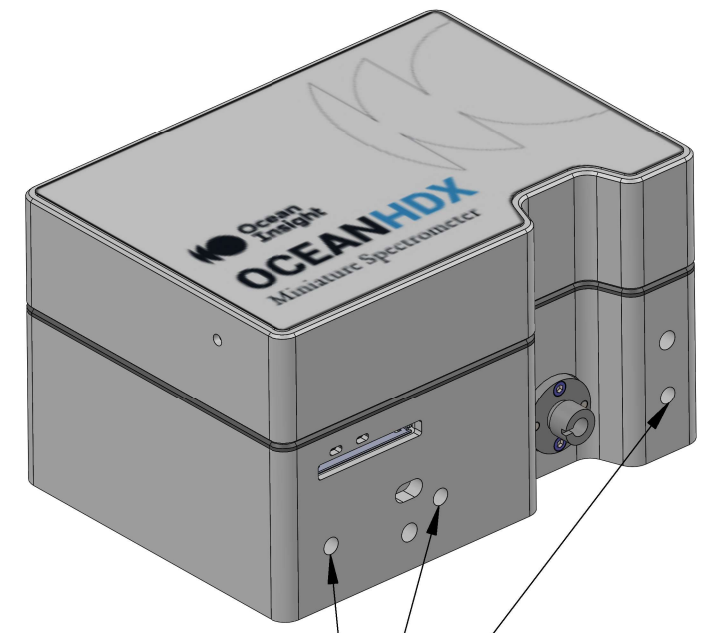
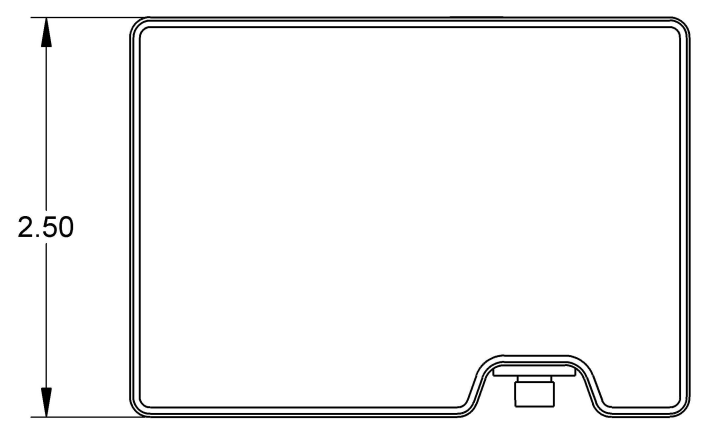
8 7 6 5 4 3 2 1

REVISION				
REV	DESCRIPTION	ECN	DATE	BY
N/A	NON-REVISION CONTROLLED		01/15/2019	REB



GENERAL NOTES:

1. ALL DIMENSIONS SUBJECT TO CHANGE WITHOUT NOTICE
2. STEP FILE ASSOCIATED: 235-00000-001_CD.STEP.



<p>Ocean Insight</p> <p>8060 Bryan Dairy Road Largo, FL 33777 727 733 2447 www.oceaninsight.com</p> <p>PROPRIETARY AND CONFIDENTIAL</p> <p>THE INFORMATION CONTAINED IN THIS DRAWING IS THE SOLE PROPERTY OF OCEAN INSIGHT, INC.</p> <p>ANY REPRODUCTION IN PART OR AS A WHOLE WITHOUT THE WRITTEN PERMISSION OF OCEAN INSIGHT, INC. IS STRICTLY PROHIBITED.</p> <p>DO NOT SCALE DRAWING</p>	<p>- DIMENSIONS IN INCHES - UNLESS OTHERWISE NOTED</p> <p>.XX ±.02 .XXX ±.005 .XXXX ±.0005</p> <p>Angular ±0.5°</p>	<table border="1"> <tr> <th>DATE</th> <th>NAME</th> </tr> <tr> <td>03/29/2018</td> <td>Roger Broslow</td> </tr> <tr> <td>03/29/2018</td> <td>Roger Broslow</td> </tr> </table>	DATE	NAME	03/29/2018	Roger Broslow	03/29/2018	Roger Broslow	<p>TITLE:</p> <p>Ocean HDX Customer Drawing</p>
	DATE	NAME							
	03/29/2018	Roger Broslow							
	03/29/2018	Roger Broslow							
<p>THIRD ANGLE PROJECTION</p>	<p>INTERPRET GEOMETRIC TOLERANCING PER: ASME Y14.5-2009</p>	<p>PART NO.</p> <p>235-00000-000_CD</p>	<p>SIZE</p> <p>B</p>						
<p>MATERIAL</p>	<p>FINISH</p>	<p>COMMENTS:</p>	<p>DWG. NO.</p> <p>235-00000-000_CD</p>						
<p>SCALE: N/A</p>		<p>SHEET 1 OF 1</p>							

8 7 6 5 4 3 2 1